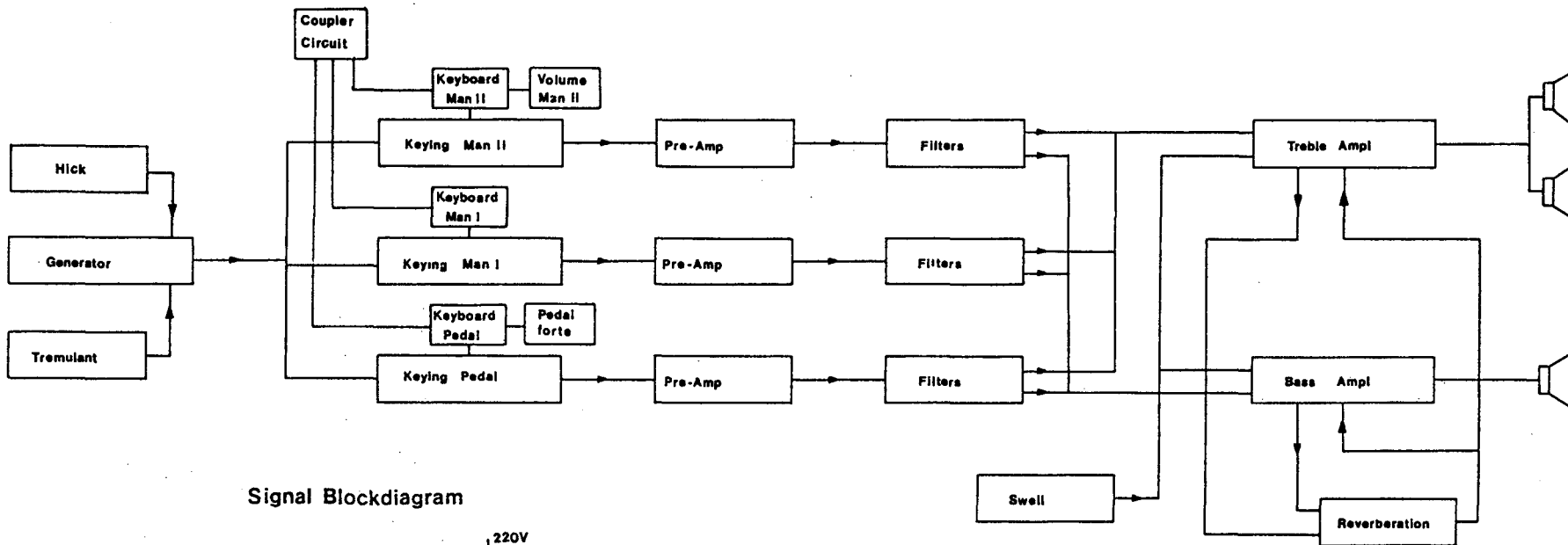


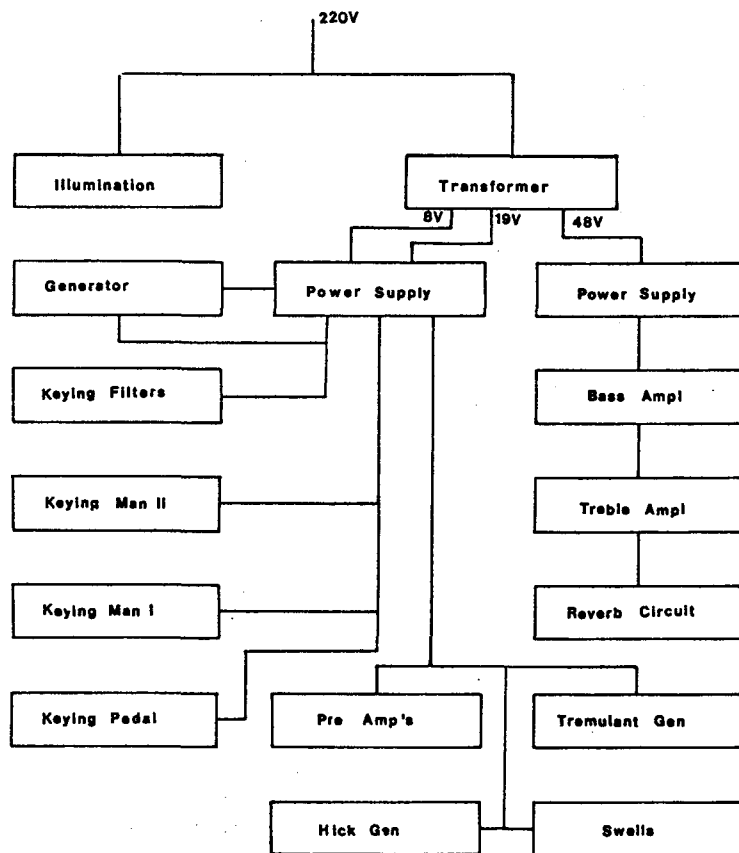
```
=====
S C H E M A T I C D I A G R A M S
J O H A N N U S
O P U S 1 5
=====
alterations reserved
```

## C O N T E N T S

1. SIGNAL AND POWER BLOCKDIAGRAM
2. POWER SUPPLY
3. TONE GENERATOR
4. DIODE KEYING CIRCUITS
5. KEYBOARD SWITCHES & COUPLER CIRCUITS
6. PRE-AMPS MAN I
7. PRE-AMPS MAN I
8. PRE-AMP MAN II & PEDAL
9. PRE-AMPS REED CIRCUIT
10. VOICES MAN I
11. VOICES MAN I
12. VOICES PEDAL AND MAN II
13. REVERBERATION CIRCUIT
14. AMPL. CIRCUIT
15. MATRIX & GENERAL
16. ADJUSTMENTS & CONNECTION; MAIN SUPPLY



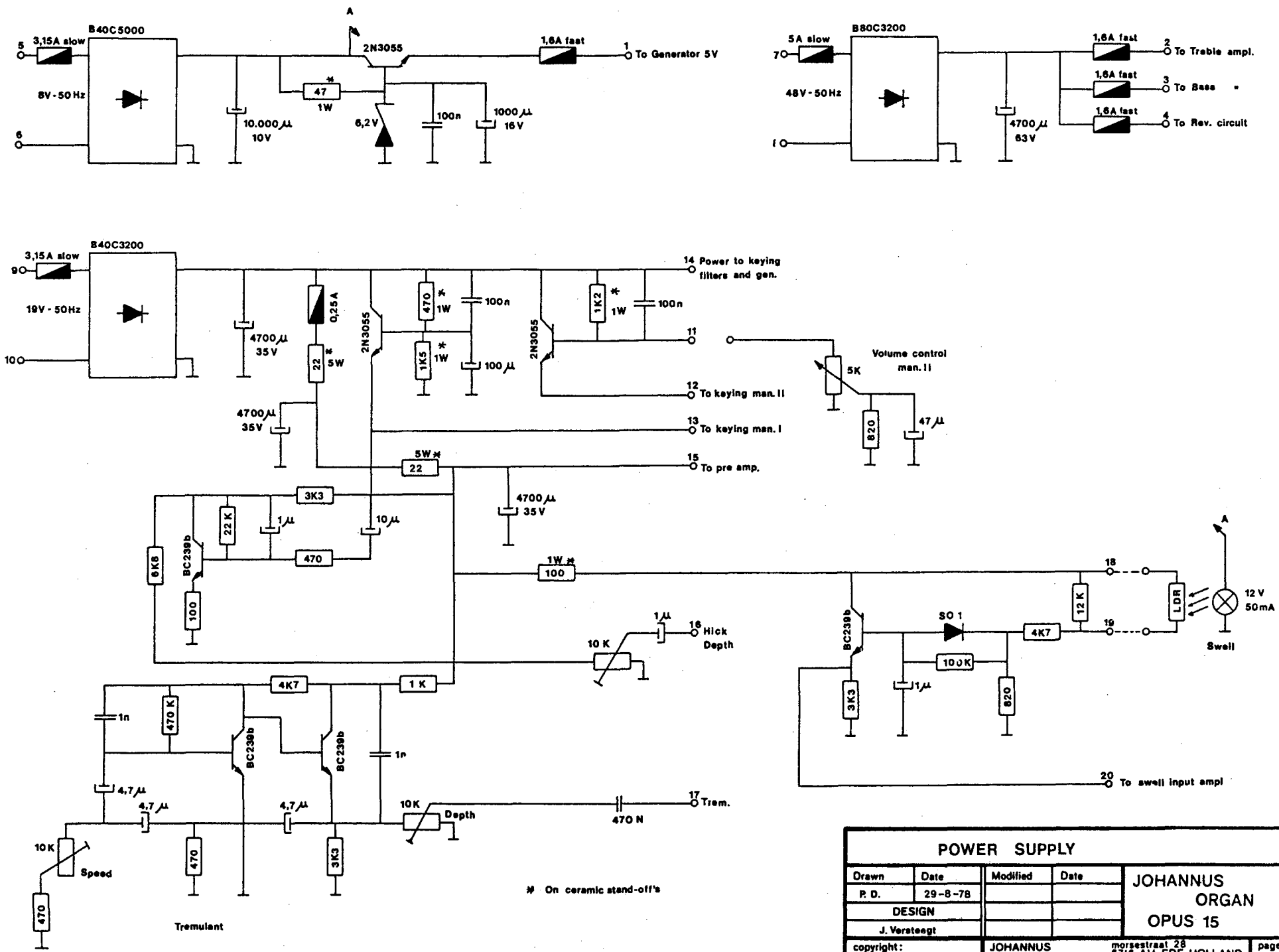
Signal Blockdiagram



Power Blockdiagram

SIGNAL AND POWER BLOCKDIAGRAM			
Drawn	Date	Modified	Date
P. D.	28-8-78		
DESIGN			
J. Versteegt			
copyright:	J. VERSTEEGT	JOHANNUS ORGELBOUW b.v.	morsestraat 28 6716 AH EDE HOLLAND Tel. 08380-19148
			page: 1

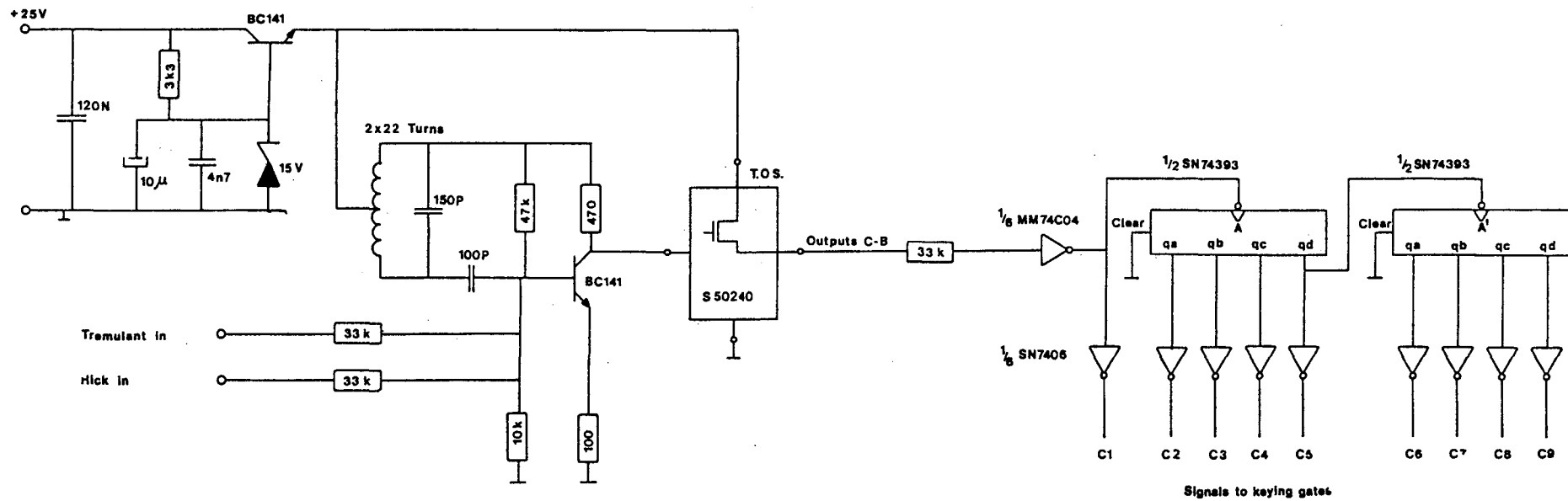
JOHANNUS  
ORGAN  
OPUS 15



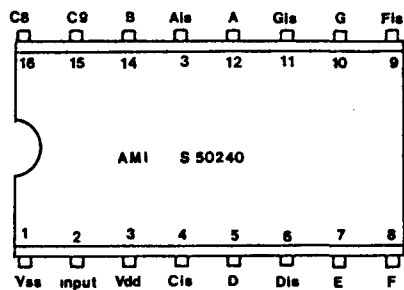
\* On ceramic stand-off's

POWER SUPPLY			
Drawn	Date	Modified	Date
P. D.	29-8-78		
DESIGN			
J. Versteegt			
copyright:	JOHANNUS	morsestraat 28	page:
J. VERSTEEGT	ORGELBOUW b.v.	6716 AH EDE HOLLAND	2
		Tel. 08380-19148	

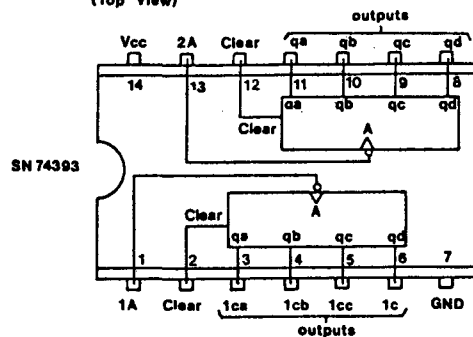
JOHANNUS  
ORGAN  
OPUS 15



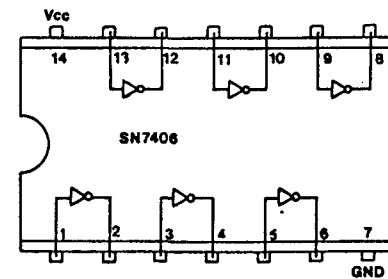
(Top View)



(Top View)



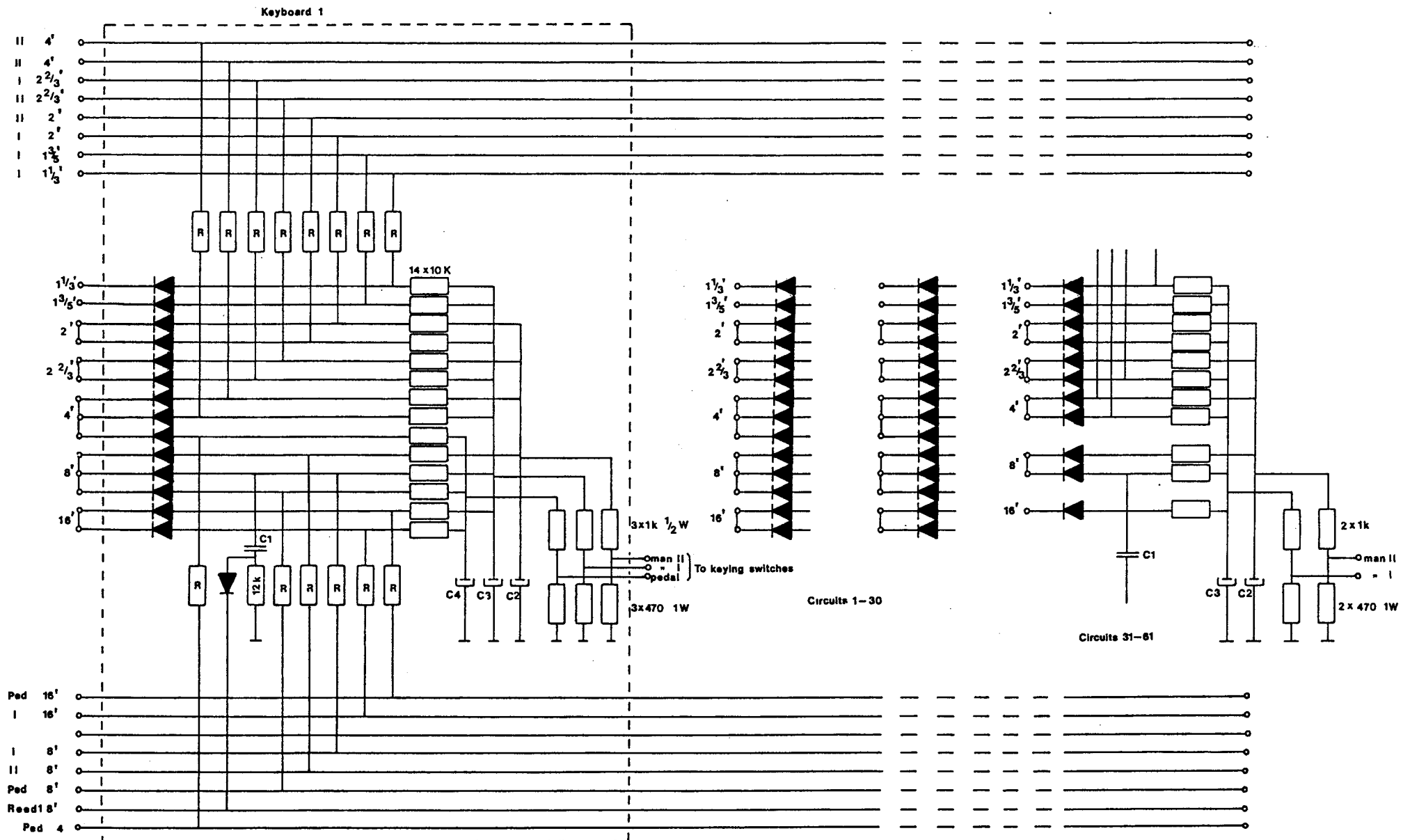
(Top View)



### TONE GENERATOR

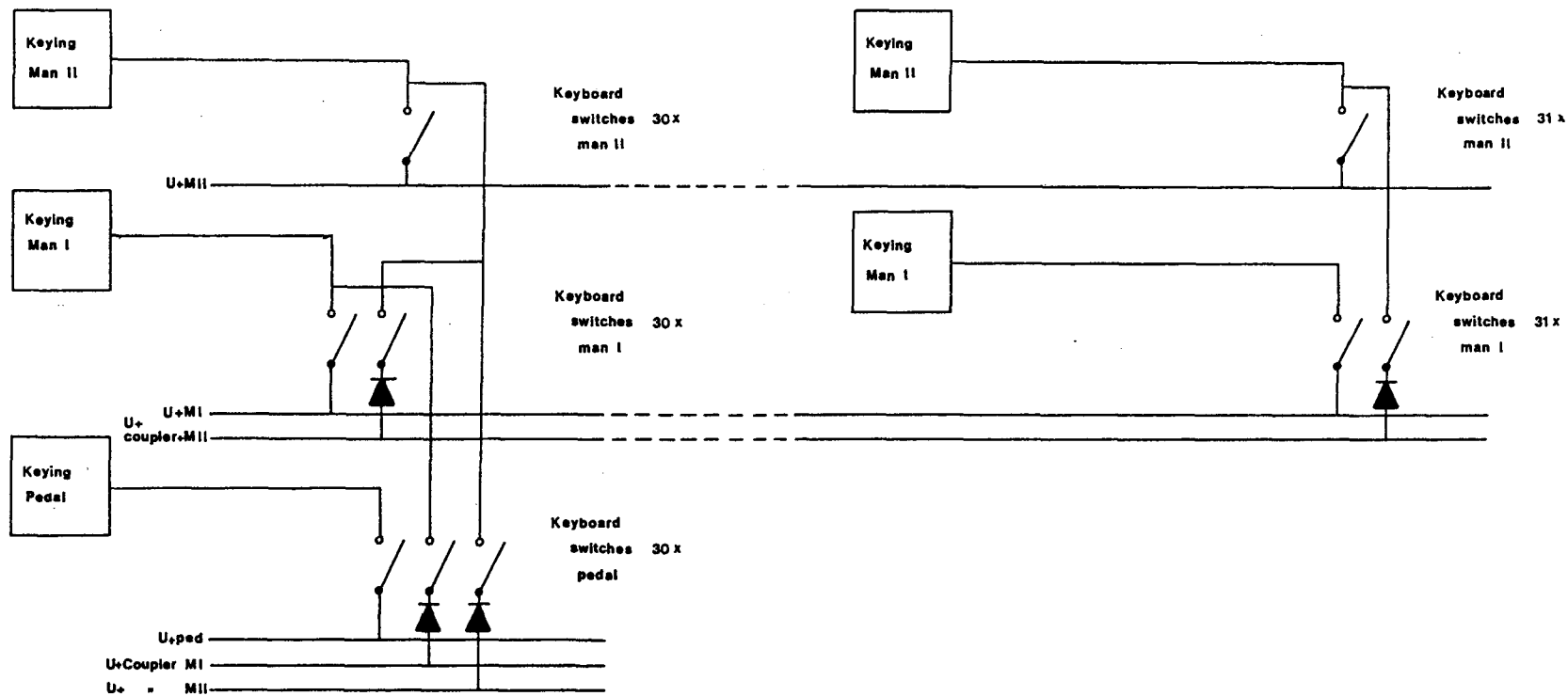
Drawn	Date	Modified	Date
R. D.	29 8 78		
DESIGN			
J. Versteegt			
copyright:	J. VERSTEEGT	JOHANNUS ORGELBOUW b.v.	morsestraat 28 6716 AH EDE HOLLAND Tel. 08380-19148*

JOHANNUS  
ORGAN  
OPUS 15

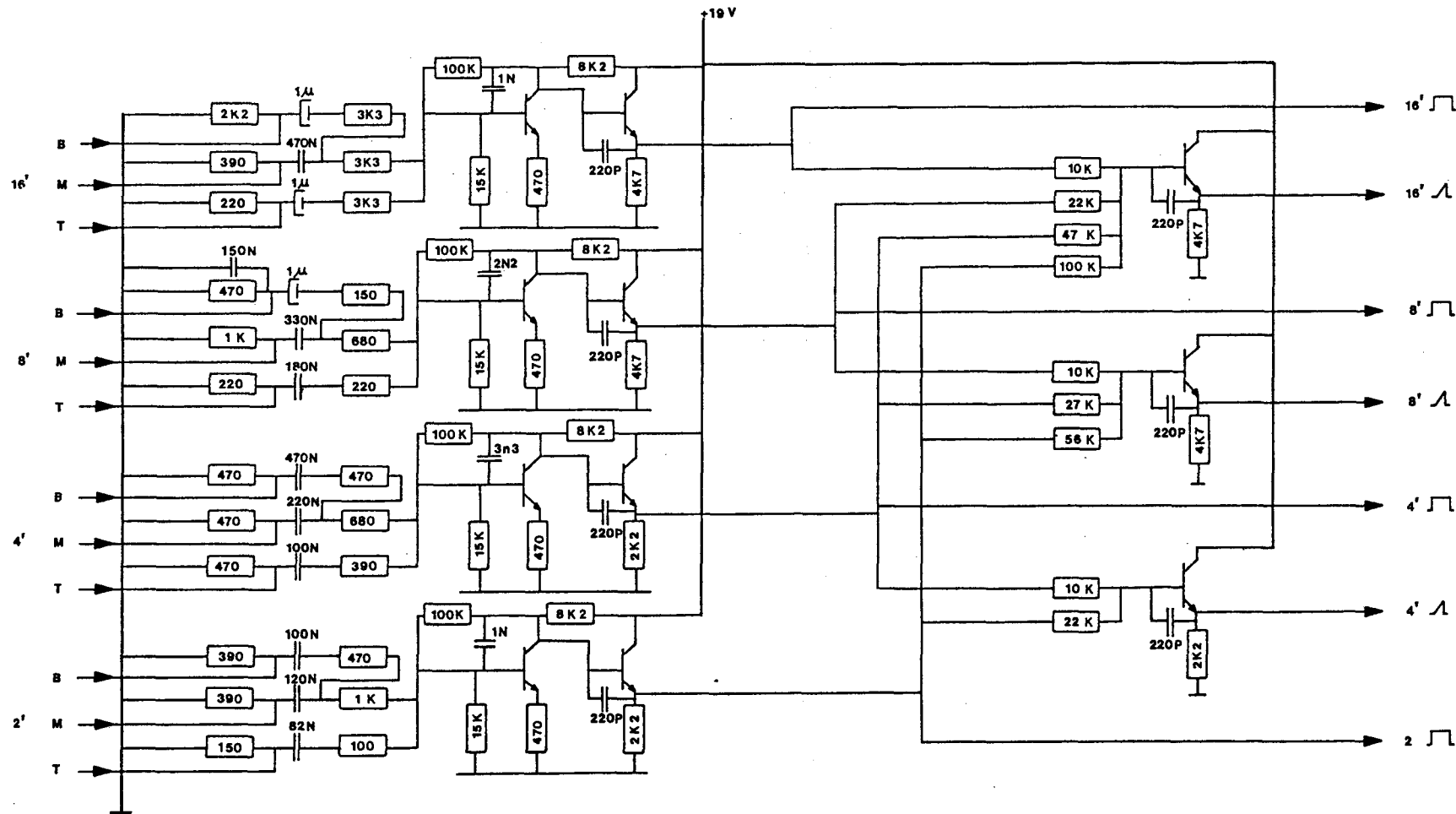


C1	C2	C3	C4	R
1-12 33N	1-30 22μ	1-37 22μ	1-30 22μ	1-8 68k
13-24 22N	31-41 10μ	38-47 10μ		9-16 56k
25-36 15N	42-61 4.7μ	48-61 4.7μ		17-24 47k
37-48 10N				25-32 39k
49-61 6N8				33-40 33k
				41-47 27k
				48-54 22k
				55-61 18k

DIODE KEYING CIRCUITS				JOHANNUS ORGAN OPUS 15
Drawn	Date	Modified	Date	
P. D.	30 8 78			
DESIGN				
J. Versteegt				
copyright:	JOHANNUS		morsestraat 28	page:
J. VERSTEEGT	ORGELBOUW b.v.		6718 AH EDE HOLLAND Tel. 08380-19148	



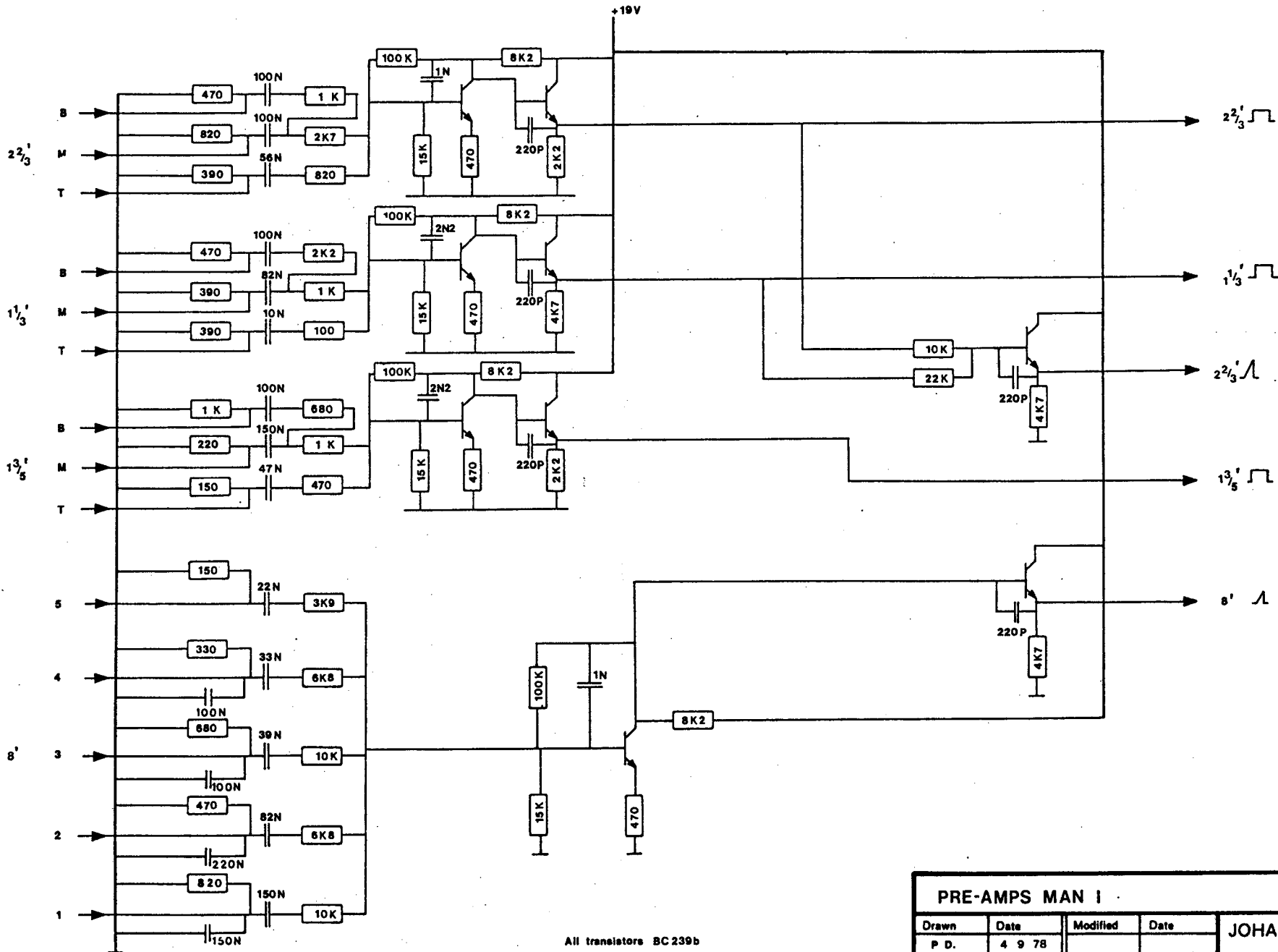
KEYBOARD SWITCHES & COUPLER SYSTEM			
Drawn	Date	Modified	Date
P. D.	30 8 78		
DESIGN			
J. Versteegt			
copyright:	J. VERSTEEGT	JOHANNUS ORGELBOUW b.v.	morsestraat 28 6716 AH EDE HOLLAND Tel. 08380-19148
			page: 5



All transistors BC 239b

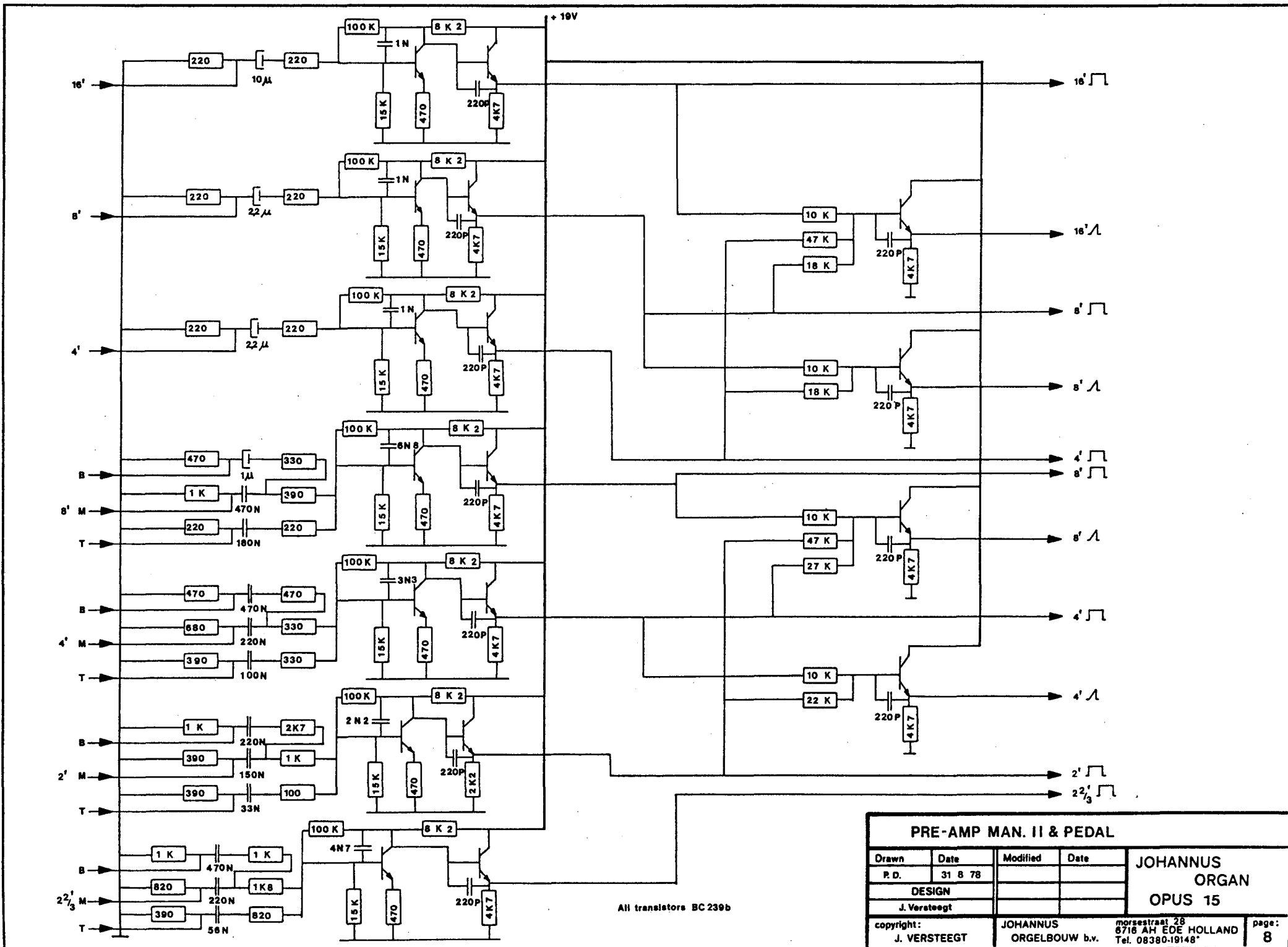
PRE-AMPS MAN I				JOHANNUS ORGAN OPUS 15	page: 6
Drawn	Date	Modified	Date		
P. D.	1 9 78				
DESIGN					
J Versteegt					
copyright: J. VERSTEEGT		JOHANNUS ORGELBOUW b.v.		morsestraat 28 6718 AH EDE HOLLAND Tel. 08380-19148	





All transistors BC239b

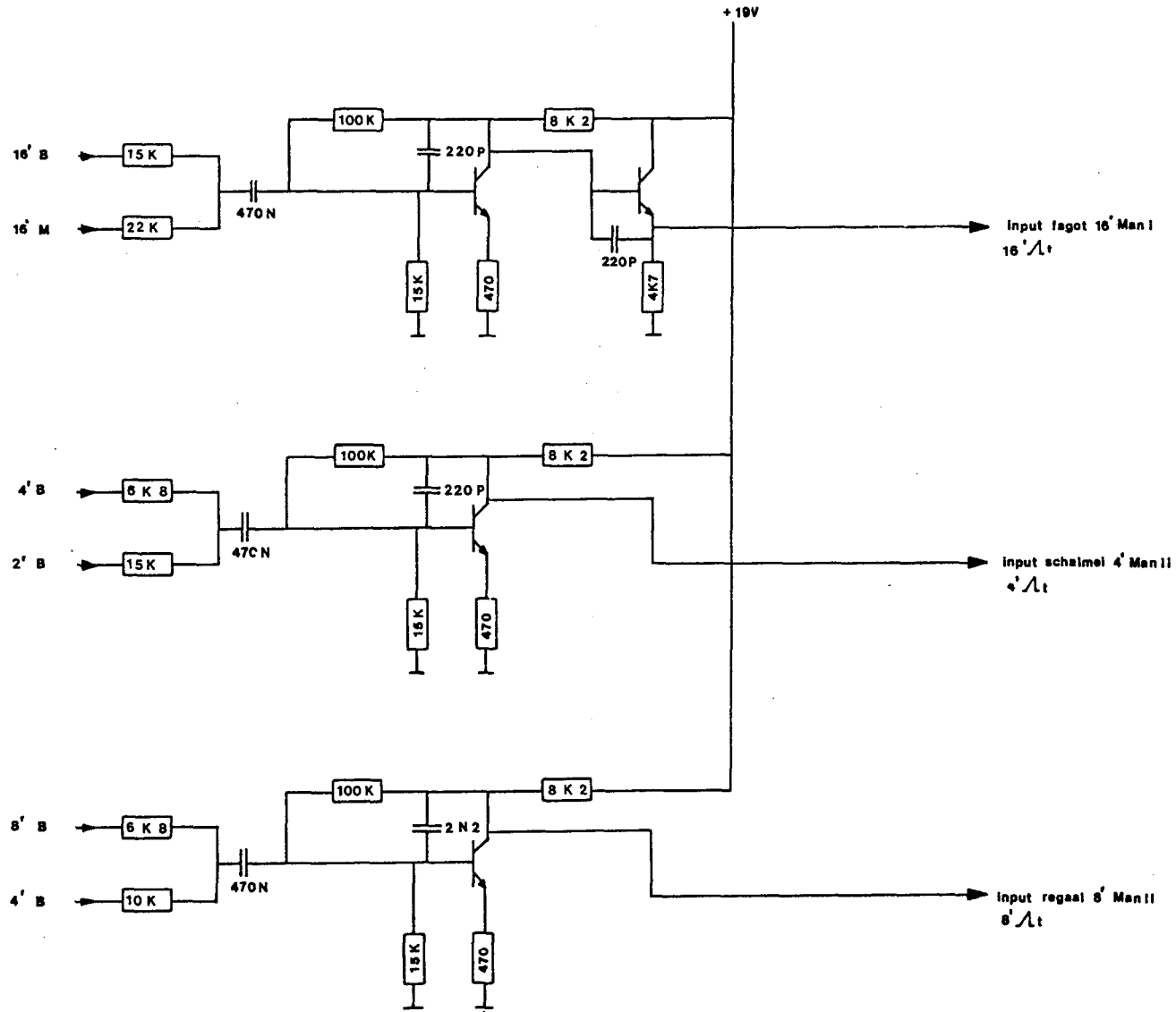
PRE-AMPS MAN I				JOHANNUS ORGAN OPUS 15
Drawn	Date	Modified	Date	
P. D.	4 9 78			
DESIGN				
J. Versteegt				
copyright:	J. VERSTEEGT	JOHANNUS ORGELBOUW b.v.	morsestraat 28 6716 AH EDE HOLLAND Tel. 08380-19148	page: 7



All transistors BC 239b

PRE-AMP MAN. II & PEDAL				JOHANNUS ORGAN OPUS 15
Drawn	Date	Modified	Date	
P. D.	31 8 78			
DESIGN				
J. Versteegt				
copyright:		JOHANNUS		morsestraat 28 6716 AH EDE HOLLAND Tel. 08380-19148
J. VERSTEEGT		ORGELBOUW b.v.		
				page: 8

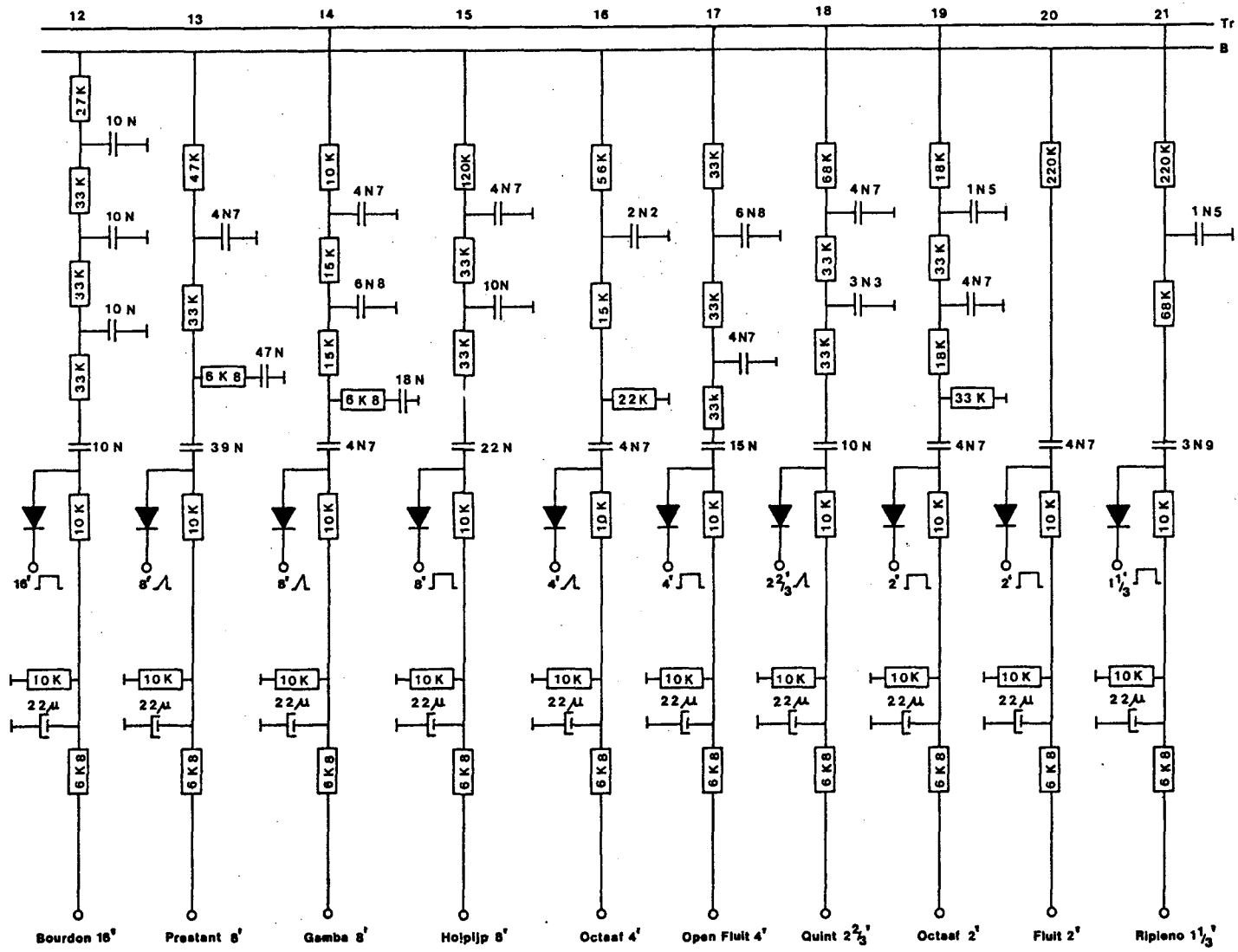
From  
Keying



All Transistors BC239b

PRE AMPS REED CIRCUIT

Drawn	Date	Modified	Date	JOHANNUS ORGAN OPUS 15
P. D.	31-8-78			
DESIGN				
J. Versteegt				
copyright: J. VERSTEEGT		JOHANNUS ORGELBOUW b.v.		morsestraat 28 6716 AH EDE HOLLAND Tel. 08380-19148
				page: 9

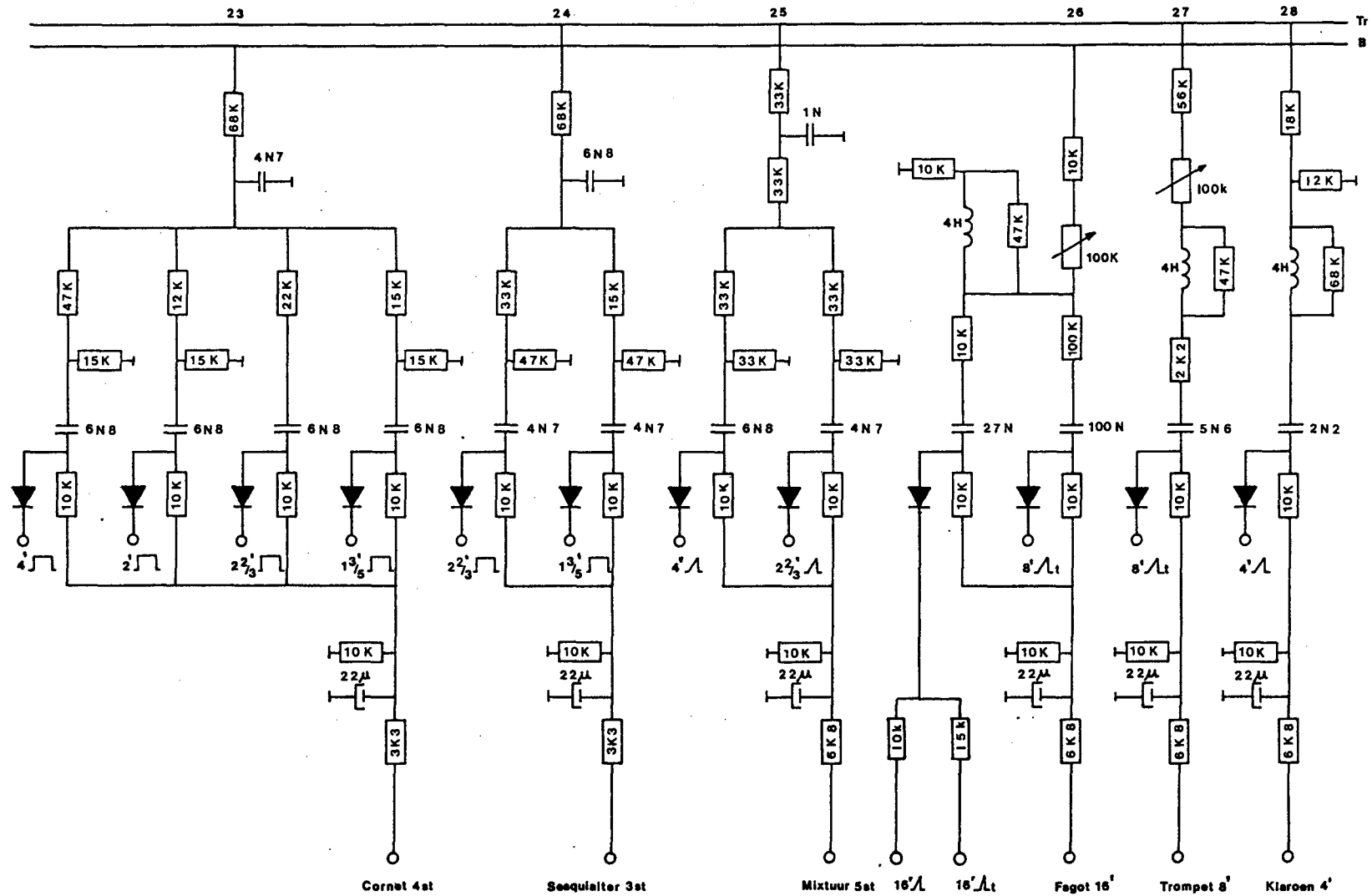


Bourdon 16'    Prestant 8'    Gamba 8'    Holpflip 8'    Octaaf 4'    Open Fluit 4'    Quint 2 <sup>2</sup>/<sub>3</sub>'    Octaaf 2'    Fluit 2'    Ripieno 1 <sup>1</sup>/<sub>3</sub>'

All diodes 501

VOICES MAN. I			
Drawn	Date	Modified	Date
P. D.	5-9-78		
DESIGN			
J. Versteegt			
copyright:	JOHANNUS		page:
J. VERSTEEGT	ORGELBOUW b.v.		10
		morgestraat 28 6716 AH EDE HOLLAND Tel. 08380-19148*	

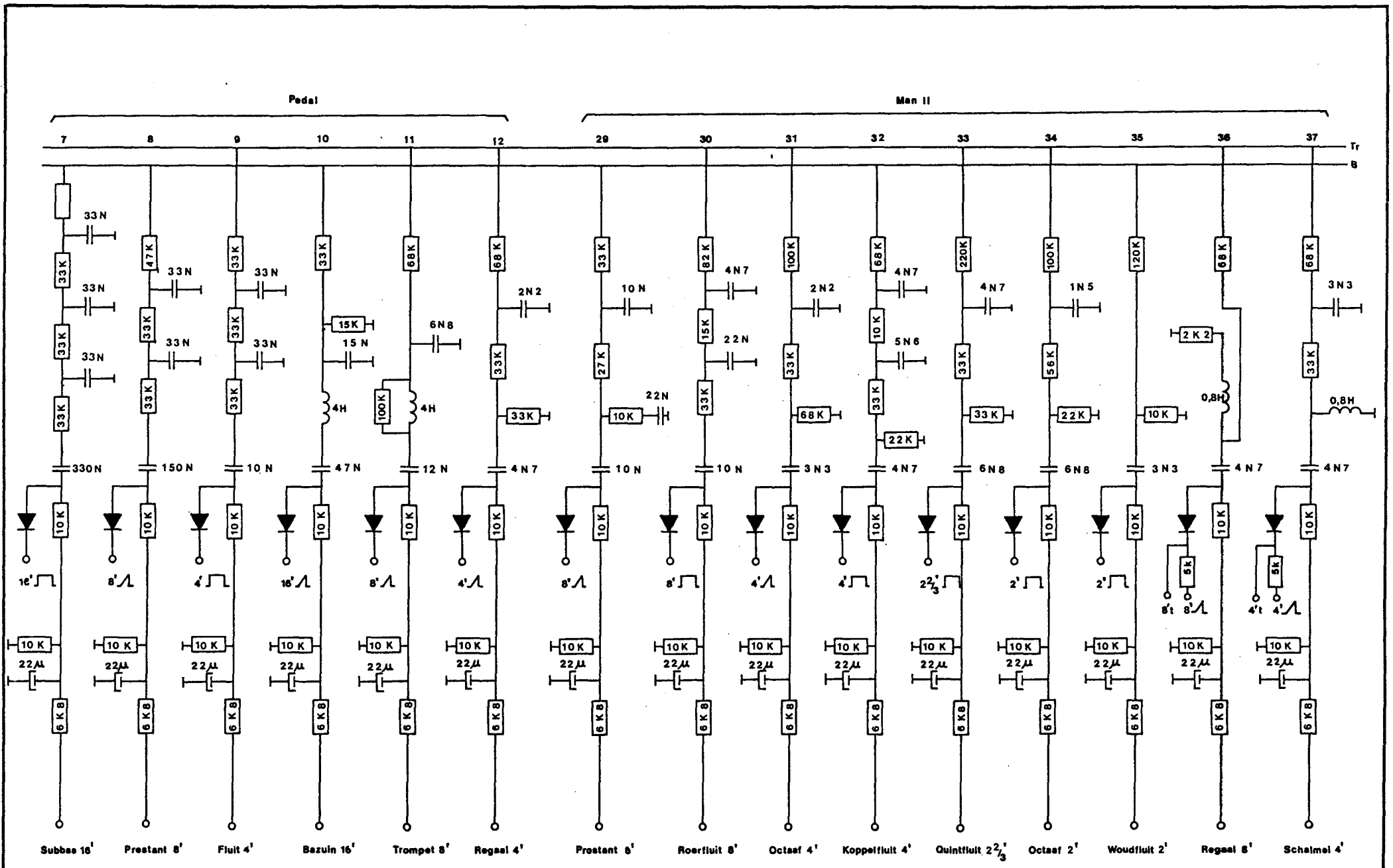
JOHANNUS  
ORGAN  
OPUS 15



All diodes SO1

VOICES MAN. I

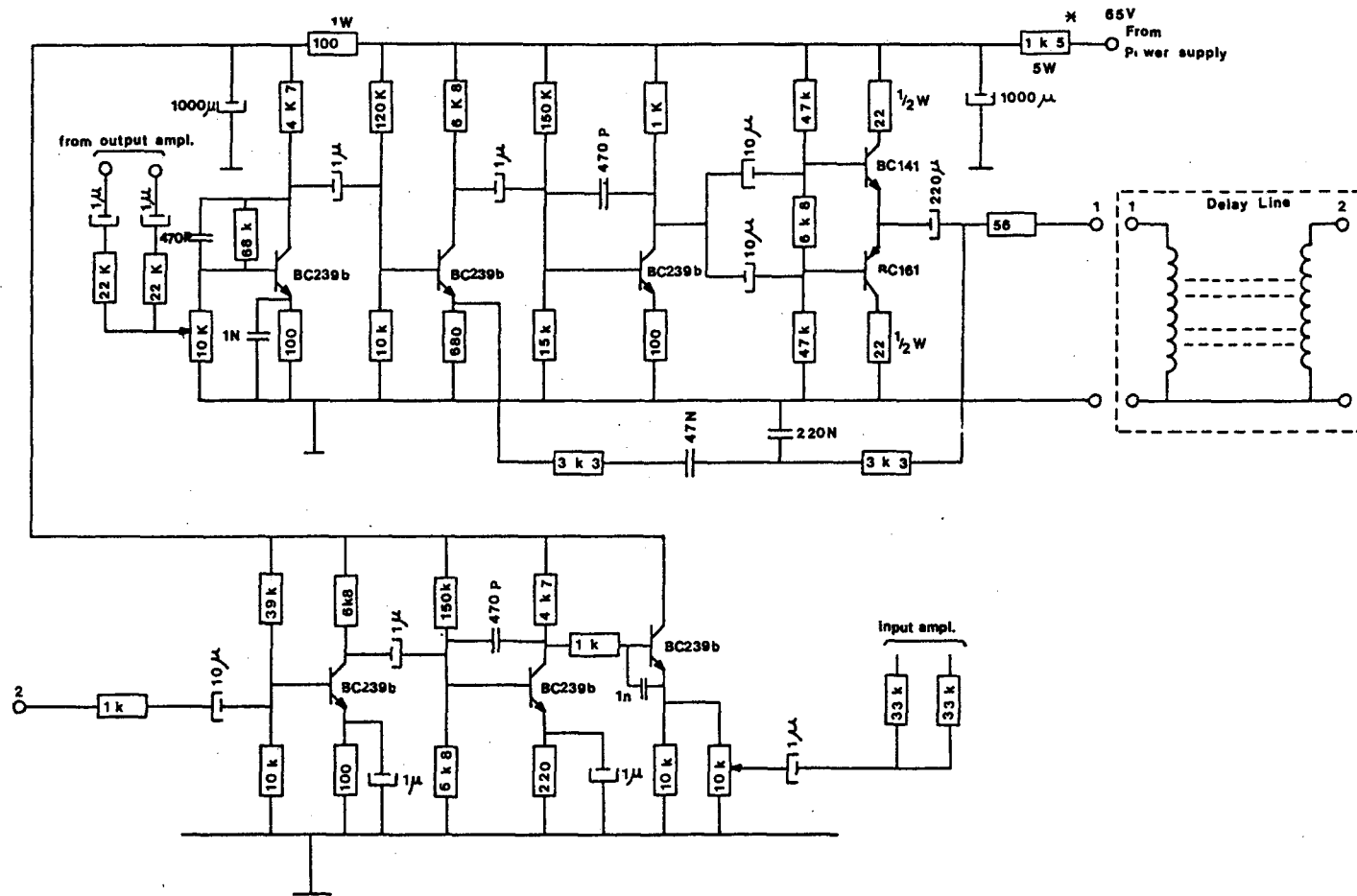
Drawn	Date	Modified	Date	JOHANNUS ORGAN OPUS 15
P.D.	14-9-78			
DESIGN				
J. Versteegt				
copyright: J. VERSTEEGT		JOHANNUS ORGELBOUW b.v.		morsestraat 28 6716 AH EDE HOLLAND Tel. 08380-19148
				page: 11



Subbas 16'    Prestant 8'    Fluit 4'    Bazuin 16'    Trompet 8'    Regaal 4'    Prestant 8'    Roerfluit 8'    Octaaf 4'    Koppelfluit 4'    Quintfluit 2<sup>2</sup>/<sub>3</sub>'    Octaaf 2'    Woudfluit 2'    Regaal 8'    Schamel 4'

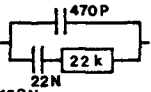
All diodes SO 1

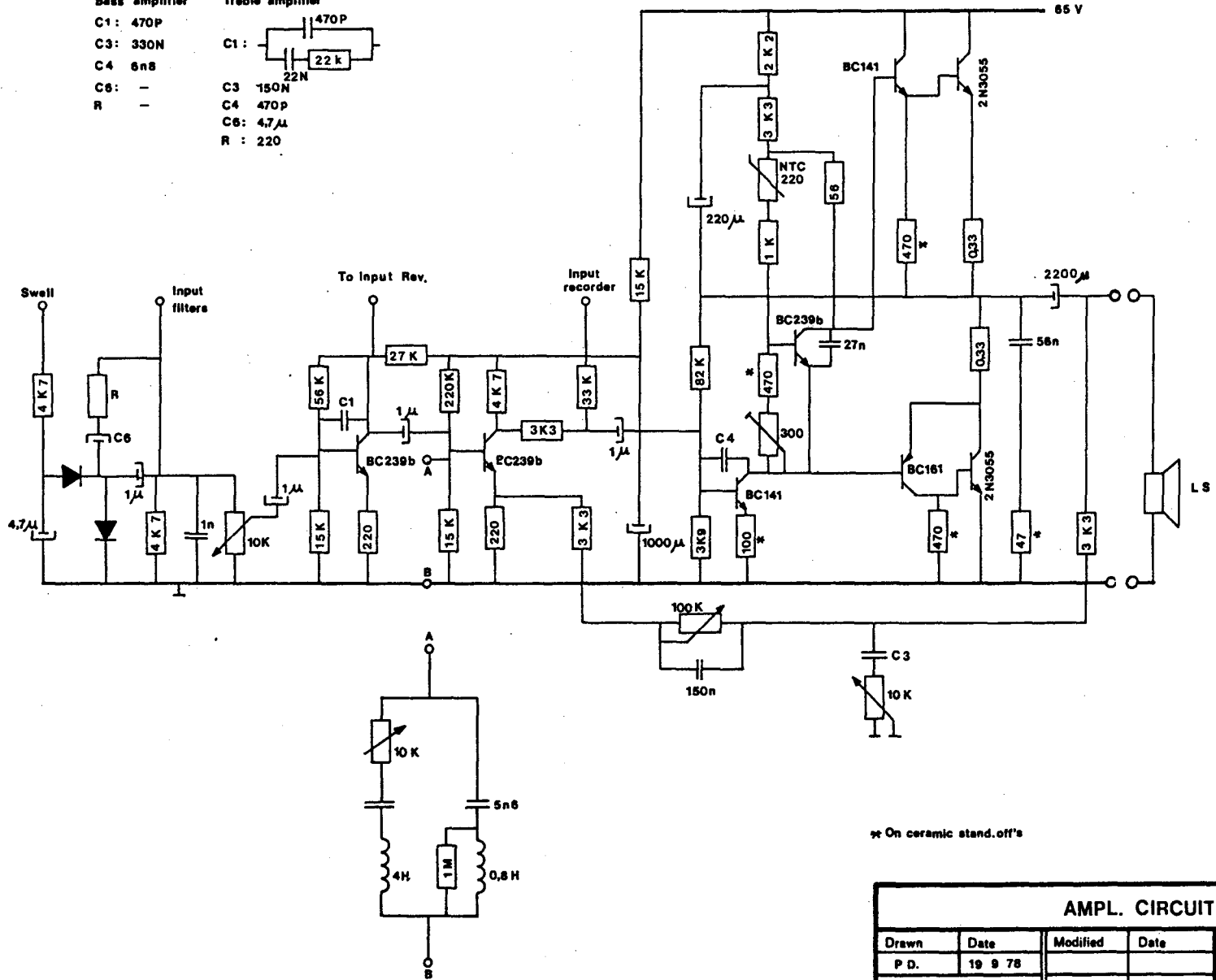
VOICES PEDAL AND MAN. II			
Drawn	Date	Modified	Date
P. D.	4-9-78		
DESIGN			
J. Versteegt			
copyright:		JOHANNUS	
J. VERSTEEGT		ORGELBOUW b.v.	
		morsestraat 28 5716 AH EDE HOLLAND Tel. 08380.19148	
			page: 12



\* On ceramic stand-off's

REVERBERATION CIRCUIT			
Drawn	Date	Modified	Date
P.D.	15 9 78		
DESIGN			
J. Versteegt			
copyright: J. VERSTEEGT		JOHANNUS ORGELBOUW b.v.	morsestraat 28 5716 AH EDE HOLLAND Tel. 06380-19148
			page: 13

- Bass amplifier**
- C1: 470P
  - C3: 330N
  - C4: 6n8
  - C6: -
  - R: -
- Treble amplifier**
- C1: 
  - C3: 150N
  - C4: 470P
  - C6: 4,7μ
  - R: 220



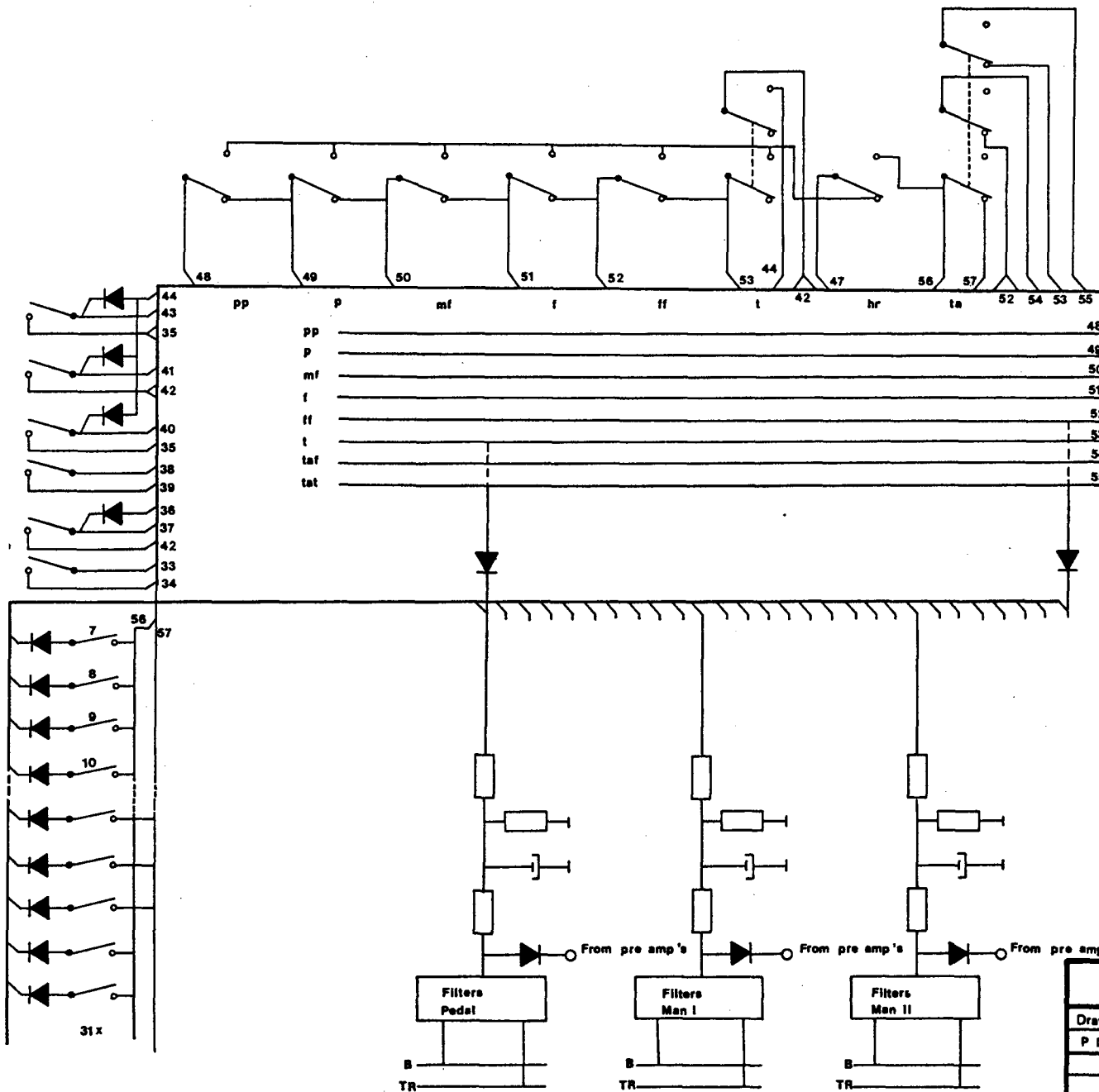
\* On ceramic stand.off's

AMPL. CIRCUIT			
Drawn	Date	Modified	Date
P. D.	19 9 78		
DESIGN			
J. Versteegt			
copyright:	JOHANNUS		page:
J. VERSTEEGT	ORGELBOUW b.v.		14

JOHANNUS  
ORGAN  
OPUS 15

morsestraat 28  
6716 AH EDE HOLLAND  
Tel. 08380-19148

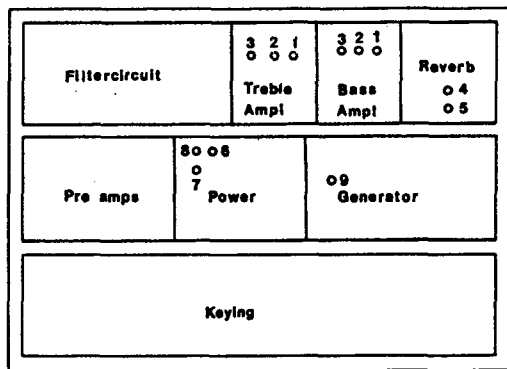
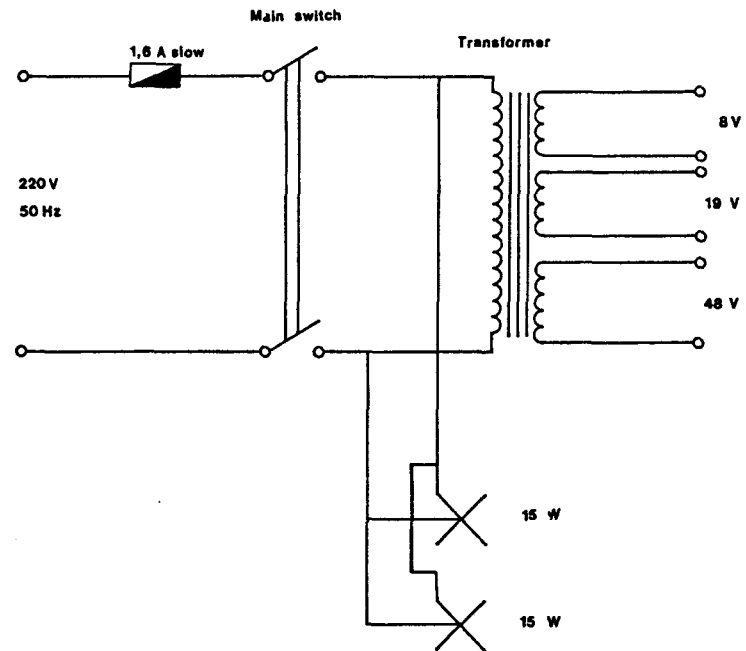
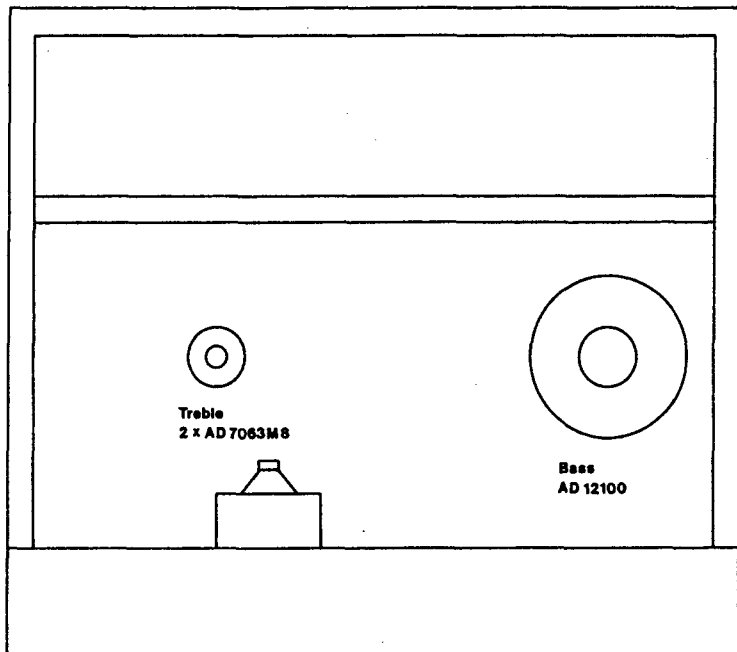




- 33 ————— 65V      4
  - 47 ————— U++      14
  - 39 ————— Trem.    17
  - 38 ————— U-ped      A
  - 42 ————— U key I    13
  - 35 ————— U key II   12
- } To power supply
- 
- 38 ————— Gen.
  - 34 ————— Reverb.
- 
- 35 ————— U key II
  - 42 ————— U key I
  - 43 ————— U coupler Man II
  - 37 ————— U ped
  - 41 ————— U coupler I
  - 40 ————— U coupler II

MATRIX & GENERAL			
Drawn	Date	Modified	Date
P D	19 9 78		
DESIGN			
J. Versteegt			
copyright: J. VERSTEEGT		JOHANNUS ORGELBOUW b.v.	
		morsestraat 28 6716 AH EDE HOLLAND Tel. 08380-19148*	
			page: <b>15</b>

**JOHANNUS  
ORGAN  
OPUS 15**



- 1: Tone control bass
- 2: " " " treble
- 3: Volume
- 4: Reverberation time
- 5: Input reverberation
- 6: Tremulant depth
- 7: " speed
- 8: Hick depth
- 9: Tuning

ADJUSTMENTS & CONNECTION; MAIN SUPPLY			
Drawn	Date	Modified	Date
P. D.	19 9 78		
DESIGN			
J. Versteegt			
copyright:	J. VERSTEEGT	JOHANNUS ORGELBOUW b.v.	morsestraat 28 6716 AH EDE HOLLAND Tel. 08380-19148
			page: 16

JOHANNUS  
ORGAN  
OPUS 15